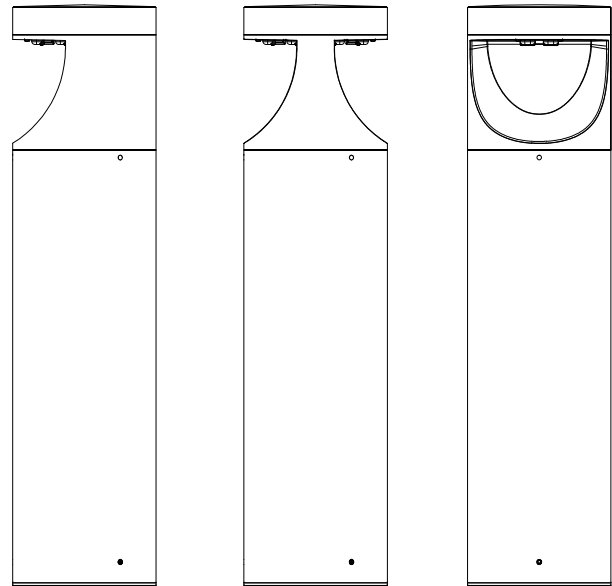


GENERAL PRODUCT INFORMATION:

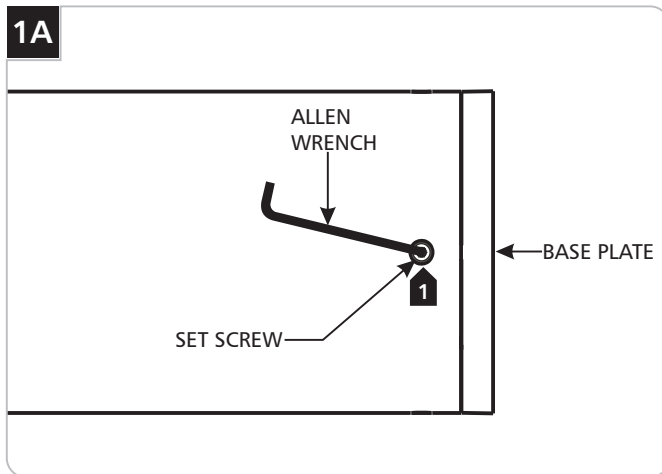
This product is suitable for wet locations.

Refer to product specsheet for dimming information.

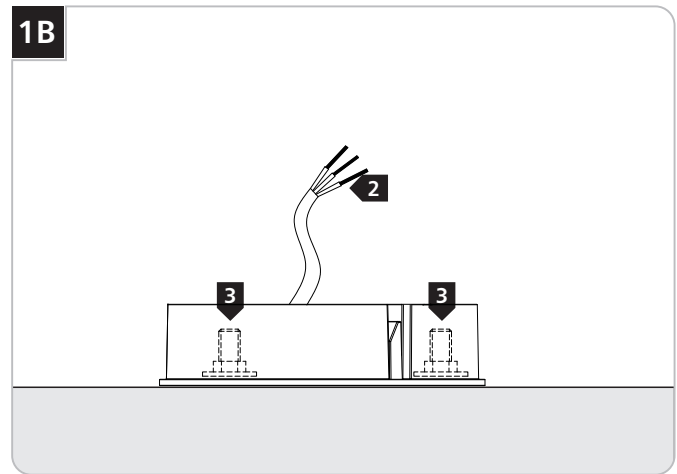
CAUTION - RISK OF FIRE
 This product must be installed in accordance with the applicable installation code by a person familiar with the construction and operation of the product and the hazards involved.
 Use minimum 90°C supply conductors.



Prepare the Fixture

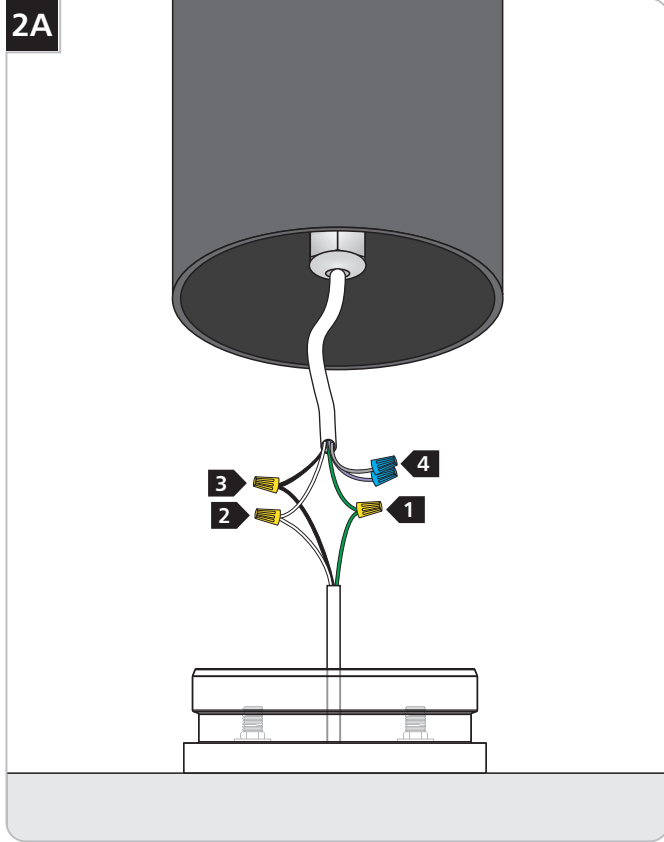


1 Loosen (**Do Not Remove**) the set screws on fixture base with the provided Allen wrench and remove the base plate.

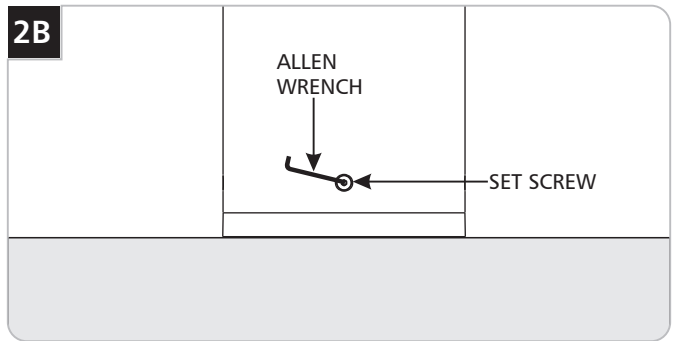


- 2** Bring the power wires to the fixture location in accordance with local electrical codes.
- 3** Mount the base plate to an even and smooth surface using the provided template on page 4.

Wire the Fixture



- 1 Connect the fixture to a suitable ground in accordance with local electrical codes.
- 2 Connect the white fixture wire to one of the low-voltage power line wires with a wire nut.
- 3 Connect the black fixture wire to the remaining low-voltage power line wire with a wire nut.
- 4 Use the gray and purple dimming wires for 1-10v dimming application (if not in use, make sure to cap these wires off).

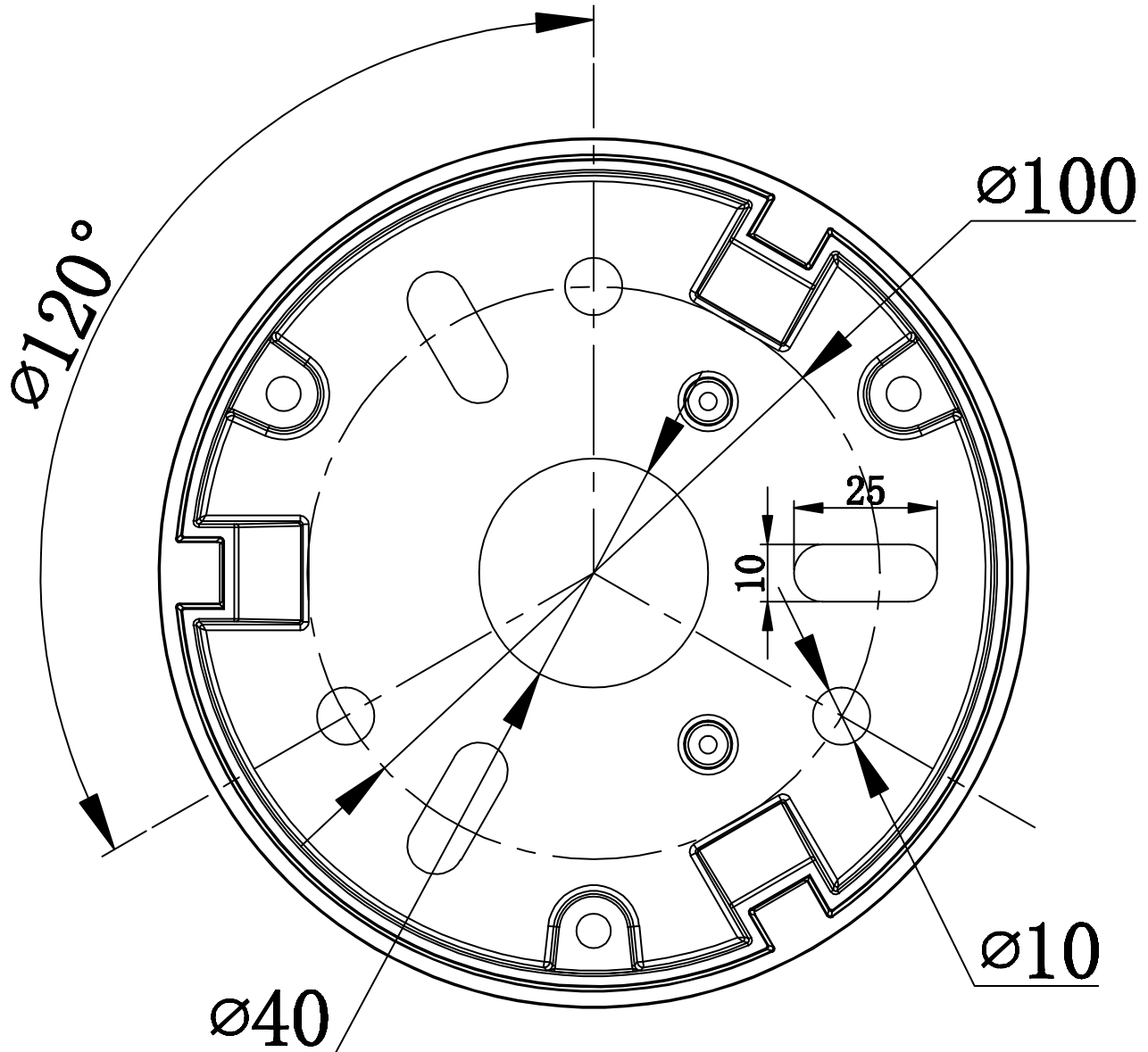


- 5 Carefully install the fixture onto the base plate and secure it in place by tightening all set screws.

Warning: The purple and gray wires are only used for 1-10v dimming. For all other applications, do not connect the gray and purple wires.

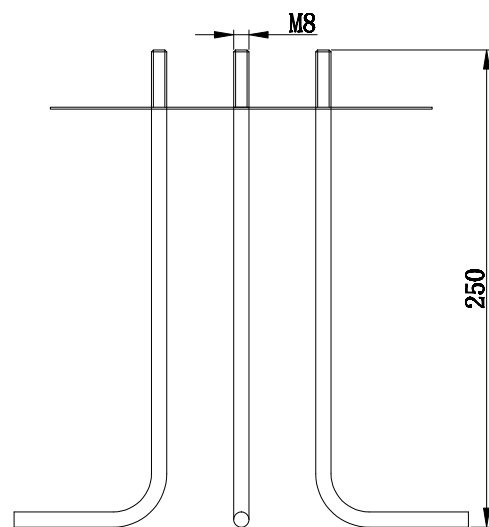
LT-BL BOLLARD MOUNTING PLATE TEMPLATE

WARNING: If printing this template, ensure printer settings are set to actual size.



Concrete Pour Kits for Bollard Landscape Accessory

(Non-standard configuration, need to be purchased separately)



LED Pole-top Light installation

